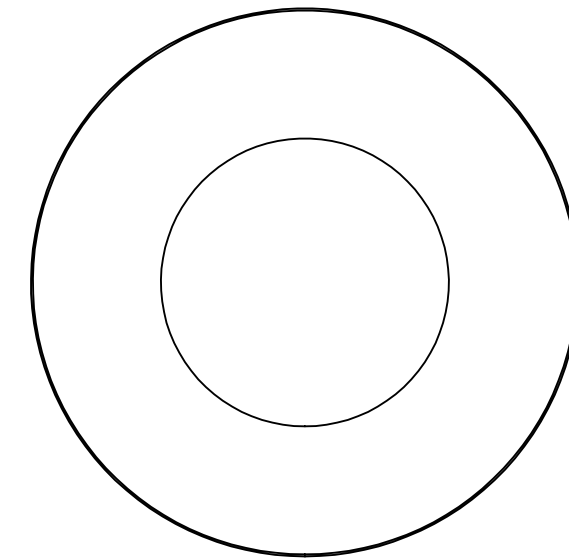
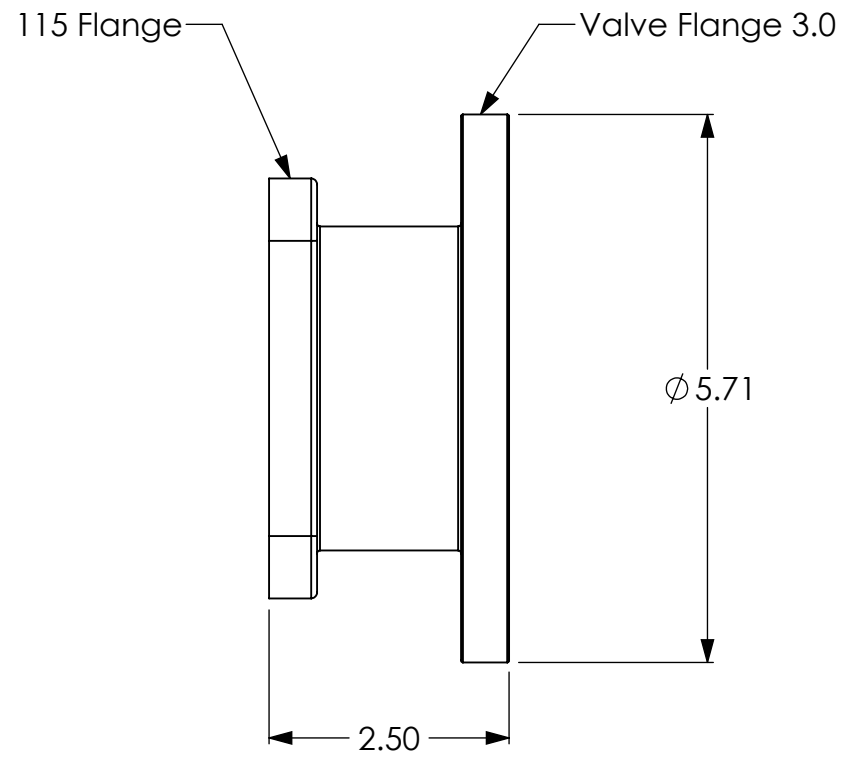
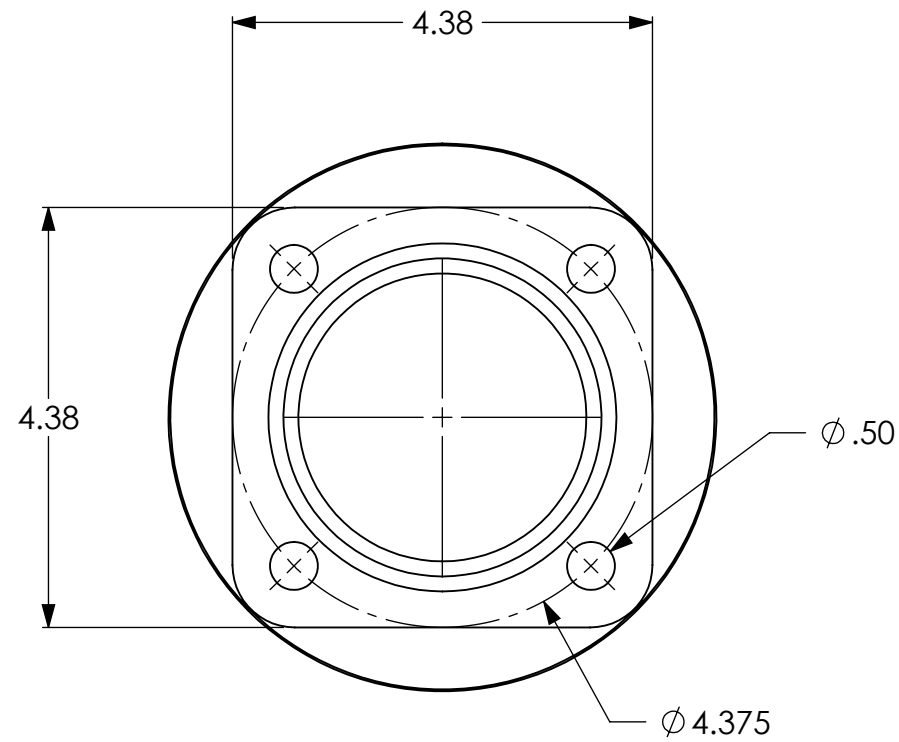
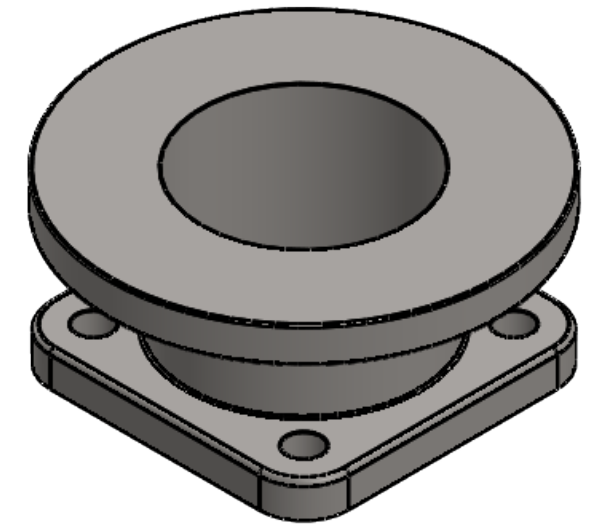


NOTES:

1. MATERIAL: AISI 304 STAINLESS STEEL.



REVISIONS		
REV.	DATE	DESCRIPTION
A	2/6/2018	Initial Release
B	1/8/2020	Decreased Overall Height.

DRAWING NOTES UNLESS OTHERWISE SPECIFIED 1. All dimensions are in inches. 2. Do not scale drawing. 3. Decimal Tolerance X.XX = +/- 0.01 4. Decimal Tolerance X.XXX = +/- 0.005 5. Fractional Tolerance X/X = +/- 1/16 6. Angle Tolerance: 0.5 degrees	<b>FirePrograms</b> SOFTWARE		6405 SW 38th St, Bldg 200 Ocala, FL 34474 Phone: 800.327.7638 www.fireprograms.com	
	TITLE <b>Cstg 115 x Vlv S 3.0</b>			
APPROXIMATE WEIGHT (LBS) 5.01	DRAWING NUMBER <b>500189</b>		REV B	SHEET SCALE 1:2
THE INFORMATION CONTAINED IN THIS DRAWING IS THE SOLE PROPERTY OF FIRE PROGRAMS, LLC. ANY REPRODUCTION IN PART OR AS A WHOLE WITHOUT THE WRITTEN PERMISSION OF FIRE PROGRAMS, LLC IS PROHIBITED.			DATE 1/8/2020	SHEET 1 OF 1