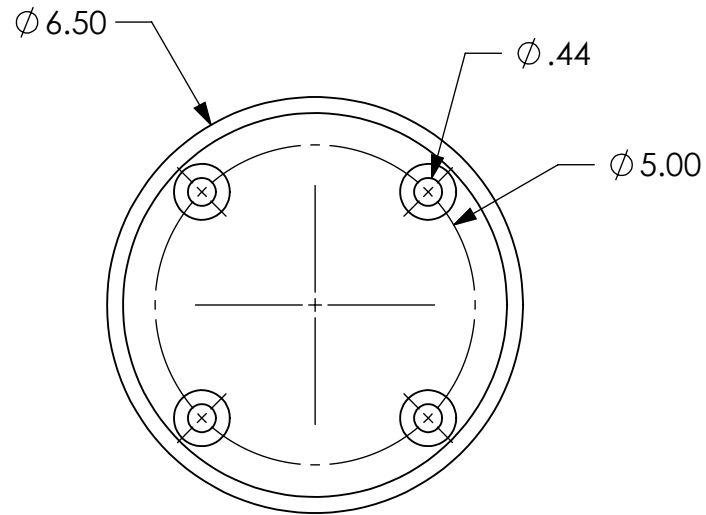
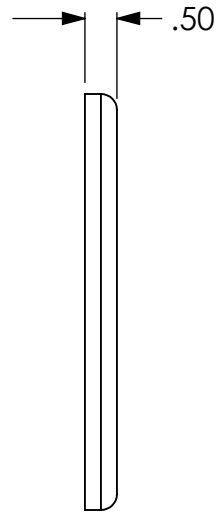
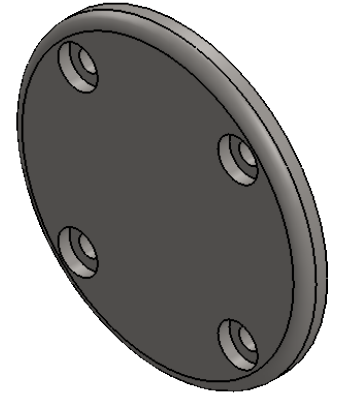


NOTES:

1. MATERIAL: AISI 304 STAINLESS STEEL



<p>DRAWING NOTES UNLESS OTHERWISE SPECIFIED</p> <ol style="list-style-type: none"> 1. All dimensions are in inches. 2. Do not scale drawing. 3. Decimal Tolerance X.XX = +/- 0.01 4. Decimal Tolerance X.XXX = +/- 0.005 5. Fractional Tolerance X/X = +/- 1/16 6. Angle Tolerance: 0.5 degrees
<p>APPROXIMATE WEIGHT (LBS)</p> <p>3.64</p>
<p>THE INFORMATION CONTAINED IN THIS DRAWING IS THE SOLE PROPERTY OF FIRE PROGRAMS, LLC. ANY REPRODUCTION IN PART OR AS A WHOLE WITHOUT THE WRITTEN PERMISSION OF FIRE PROGRAMS, LLC IS PROHIBITED.</p>

FirePrograms
SOFTWARE

6405 SW 38th St, Bldg 200
Ocala, FL 34474
Phone: 800.327.7638
www.fireprograms.com

TITLE
Cstg Tank 3.0 Cap

DRAWING NUMBER
500148

REV A	SHEET SCALE 1:3
DATE 2/6/2017	SHEET 2 OF 2