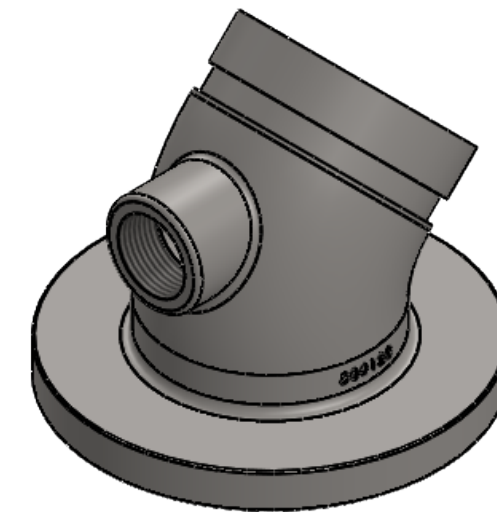
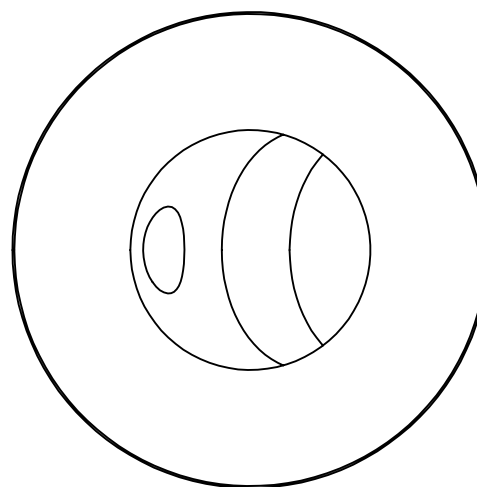
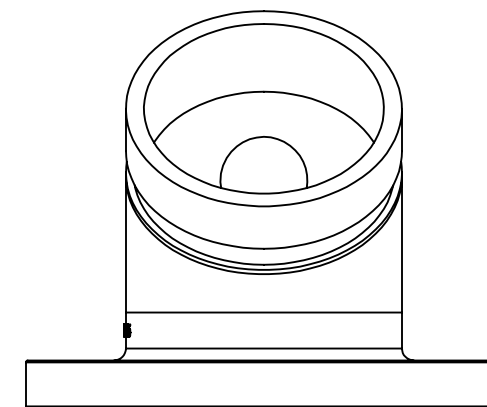
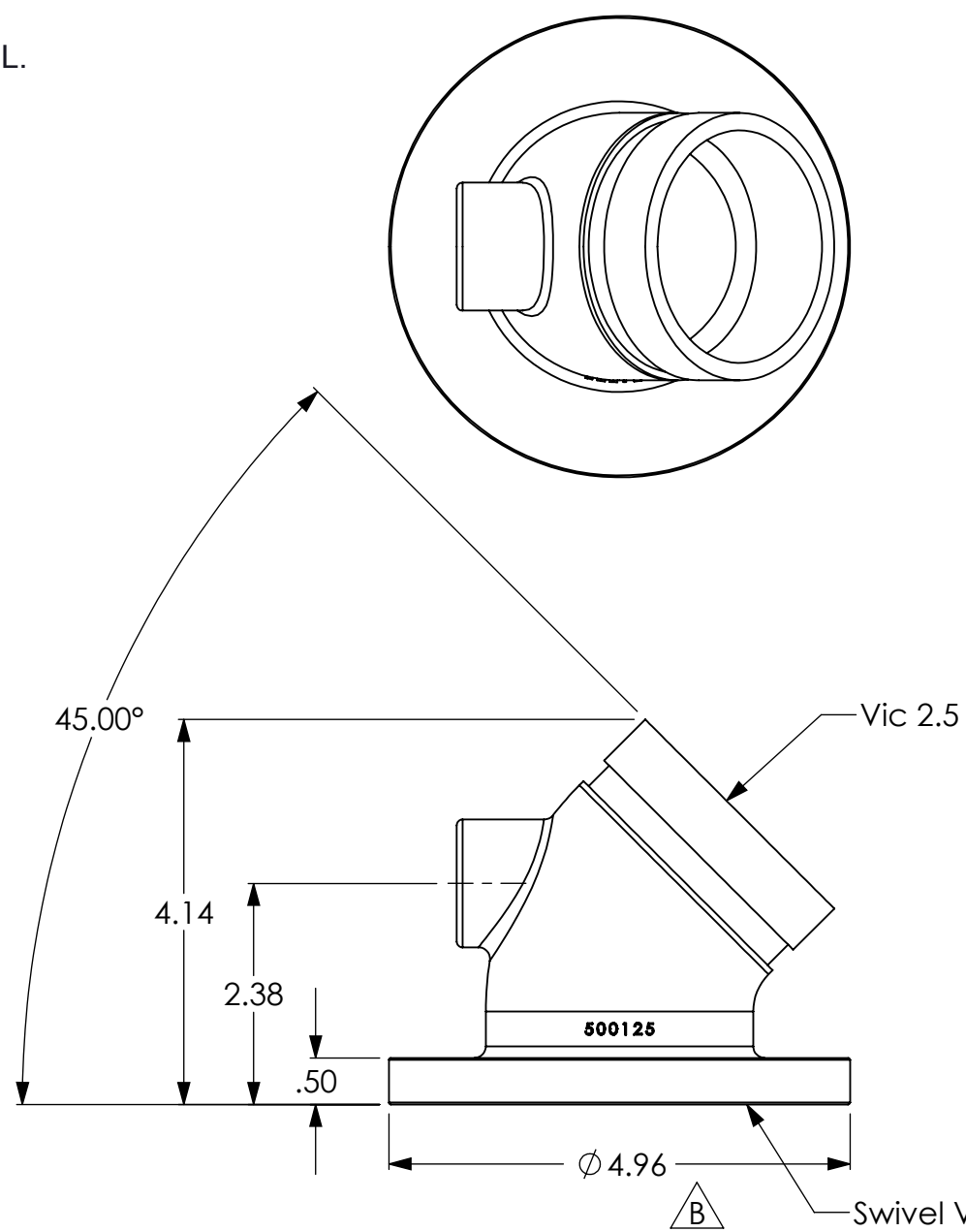
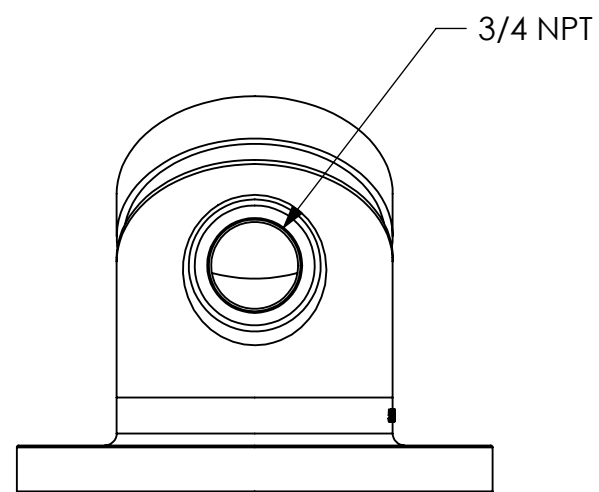


NOTES:

1. MATERIAL: AISI 304 STAINLESS STEEL.



| REVISIONS | | |
|-----------|-----------|---------------------------------|
| REV. | DATE | DESCRIPTION |
| A | 6/28/2016 | Initial Release |
| B | 2/5/2018 | Increase base diameter by .020. |

| |
|---|
| <p>DRAWING NOTES UNLESS OTHERWISE SPECIFIED</p> <ol style="list-style-type: none"> All dimensions are in inches. Do not scale drawing. Decimal Tolerance X.XX = +/- 0.01 Decimal Tolerance X.XXX = +/- 0.005 Fractional Tolerance X/X = +/- 1/16 Angle Tolerance: 0.5 degrees |
| <p>APPROXIMATE WEIGHT (LBS)</p> <p>3.55</p> |
| <p>THE INFORMATION CONTAINED IN THIS DRAWING IS THE SOLE PROPERTY OF FIRE PROGRAMS, LLC. ANY REPRODUCTION IN PART OR AS A WHOLE WITHOUT THE WRITTEN PERMISSION OF FIRE PROGRAMS, LLC IS PROHIBITED.</p> |

| | | | |
|--|--|---|-------------------------------|
| <p>FirePrograms SOFTWARE</p> | | <p>6405 SW 38th St, Bldg 200 Ocala, FL 34474 Phone: 800.327.7638 www.fireprograms.com</p> | |
| <p>TITLE</p> <p>Flange Vlv 2.5 x 45 Deg</p> | | | |
| <p>DRAWING NUMBER</p> <p>500125</p> | | <p>REV</p> <p>B</p> | <p>SHEET SCALE</p> <p>1:2</p> |
| | | <p>DATE</p> <p>2/5/2018</p> | <p>SHEET</p> <p>1 OF 1</p> |