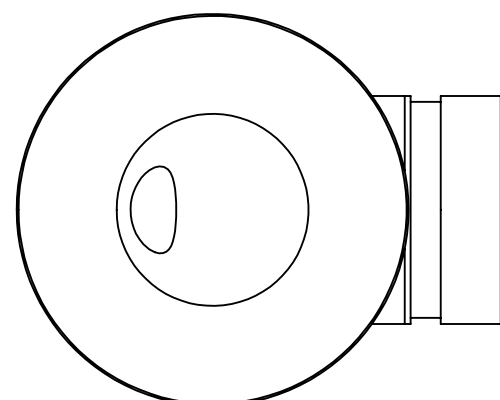
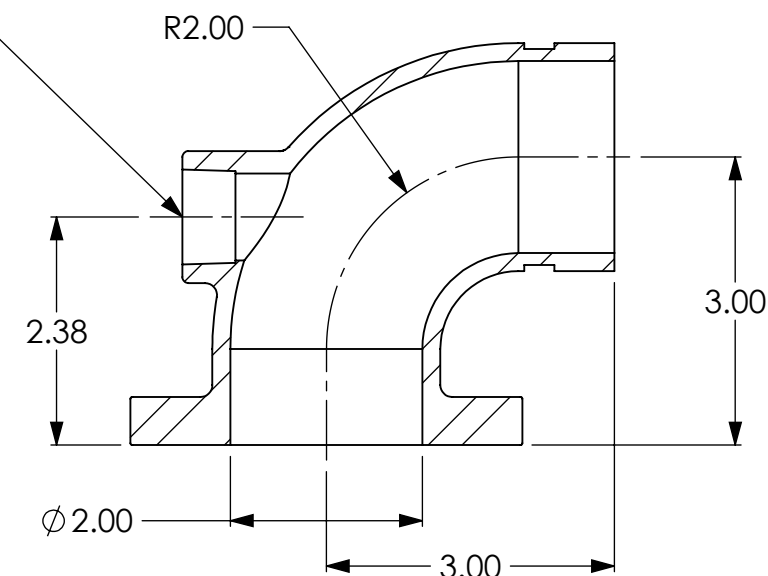
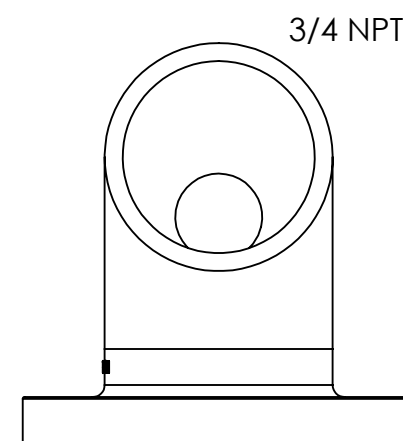
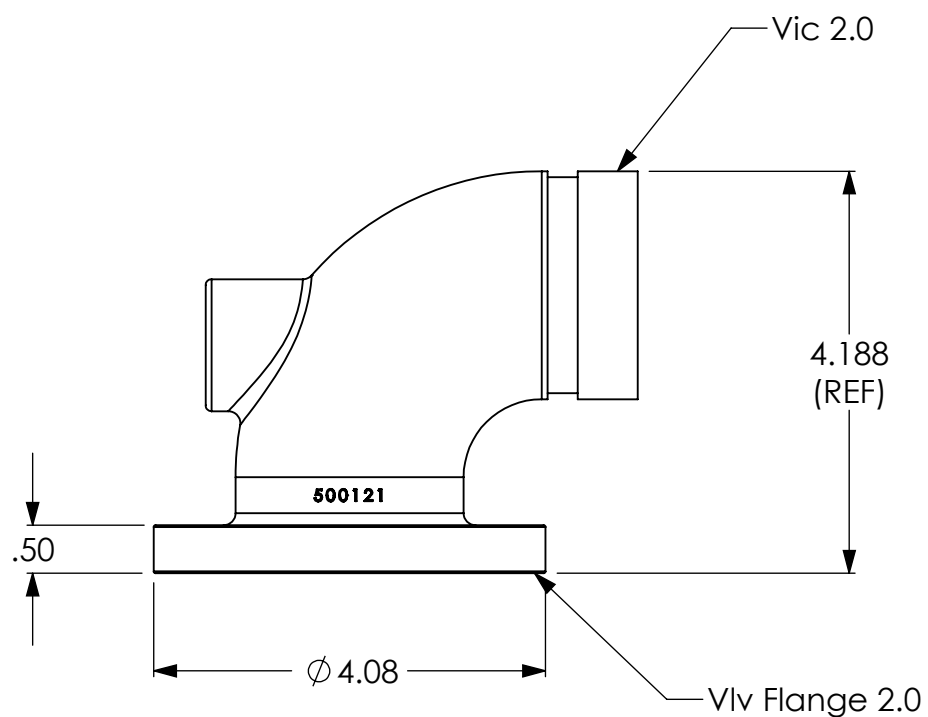
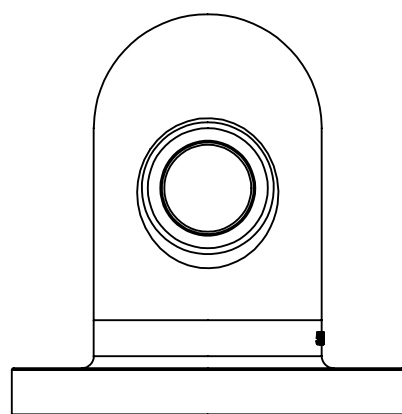
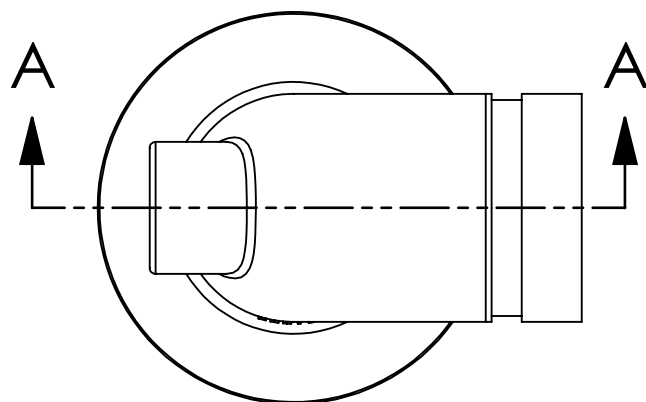
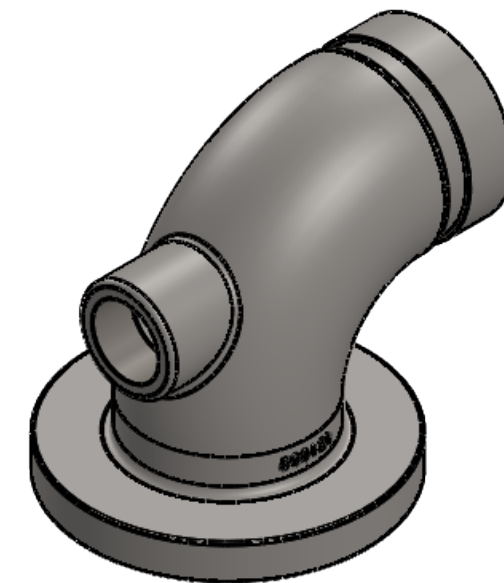


NOTES:

- MATERIAL: AISI 304 STAINLESS STEEL.



SECTION A-A

DRAWING NOTES UNLESS OTHERWISE SPECIFIED  
 1. All dimensions are in inches.  
 2. Do not scale drawing.  
 3. Decimal Tolerance X.XX = +/- 0.01  
 4. Decimal Tolerance X.XXX = +/- 0.005  
 5. Fractional Tolerance X/X = +/- 1/16  
 6. Angle Tolerance: 0.5 degrees

APPROXIMATE WEIGHT (LBS)  
 3.26

THE INFORMATION CONTAINED IN THIS DRAWING IS THE SOLE PROPERTY OF FIRE PROGRAMS, LLC. ANY REPRODUCTION IN PART OR AS A WHOLE WITHOUT THE WRITTEN PERMISSION OF FIRE PROGRAMS, LLC IS PROHIBITED.

|                                 |  |   |                    |
|---------------------------------|--|---|--------------------|
|                                 |  | 6405 SW 38th St, Bldg 200<br>Ocala, FL 34474<br>Phone: 800.327.7638<br>www.fireprograms.com |                    |
|                                 |  | TITLE<br><b>Flange Vlv 2.0 x 90 Deg</b>   |                    |
| DRAWING NUMBER<br><b>500121</b> |  | REV<br>B  | SHEET SCALE<br>1:2 |
|                                 |  | DATE<br>2/5/2018  | SHEET<br>1 OF 1    |

| REVISIONS |           |                                 |
|-----------|-----------|---------------------------------|
| REV.      | DATE      | DESCRIPTION                     |
| A         | 6/28/2016 | Initial Release                 |
| B         | 2/5/2018  | Increase base diameter by .020. |