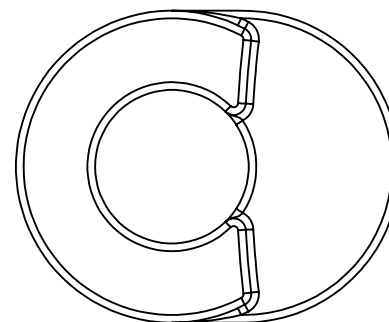
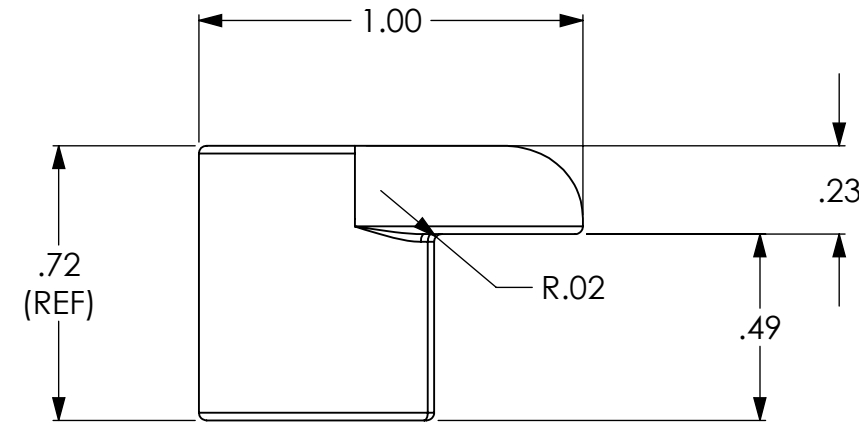
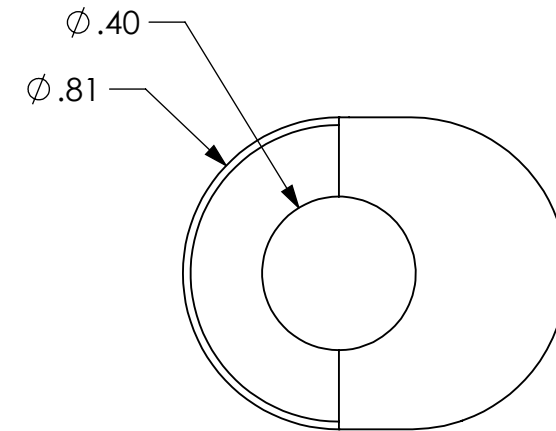
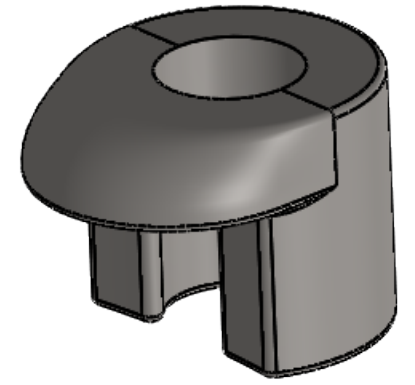


NOTES:

1. MATERIAL: AISI 304 STAINLESS STEEL.



DRAWING NOTES UNLESS OTHERWISE SPECIFIED
 1. All dimensions are in inches.
 2. Do not scale drawing.
 3. Decimal Tolerance X.XX = +/- 0.01
 4. Decimal Tolerance X.XXX = +/- 0.005
 5. Fractional Tolerance X/X = +/- 1/16
 6. Angle Tolerance: 0.5 degrees

FirePrograms
SOFTWARE

6405 SW 38th St, Bldg 200
 Ocala, FL 34474
 Phone: 800.327.7638
 www.fireprograms.com

TITLE
Standoff Vlv Flange Swivel

APPROXIMATE WEIGHT (LBS)
 0.07

THE INFORMATION CONTAINED IN THIS DRAWING IS THE SOLE PROPERTY OF FIRE PROGRAMS, LLC. ANY REPRODUCTION IN PART OR AS A WHOLE WITHOUT THE WRITTEN PERMISSION OF FIRE PROGRAMS, LLC IS PROHIBITED.

DRAWING NUMBER
500119

REV B	SHEET SCALE 2:1
DATE 12/19/2016	SHEET 1 OF 1

REVISIONS		
REV.	DATE	DESCRIPTION
B	12/19/2016	Initial Release