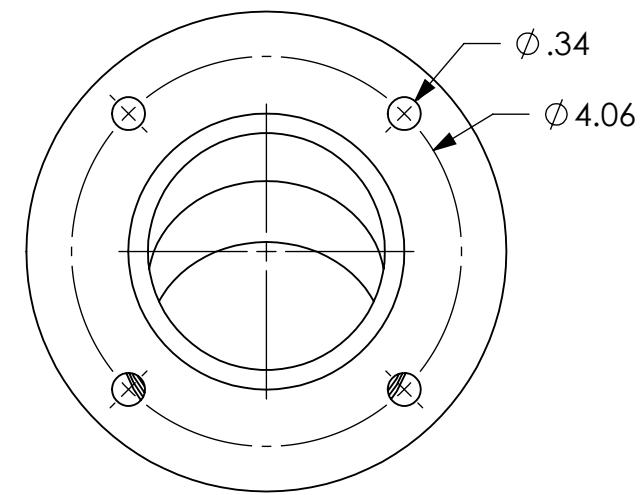
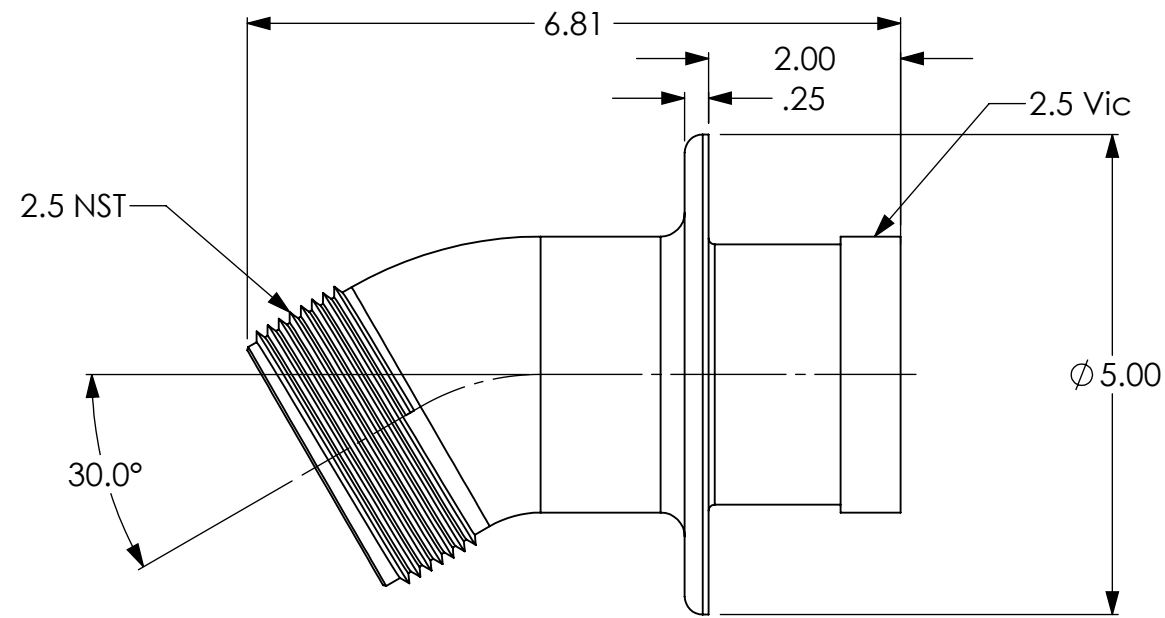
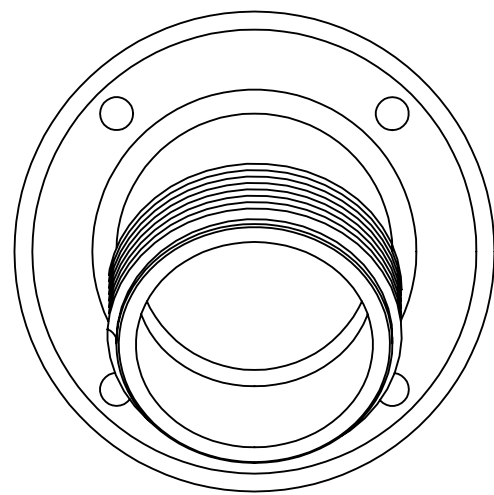
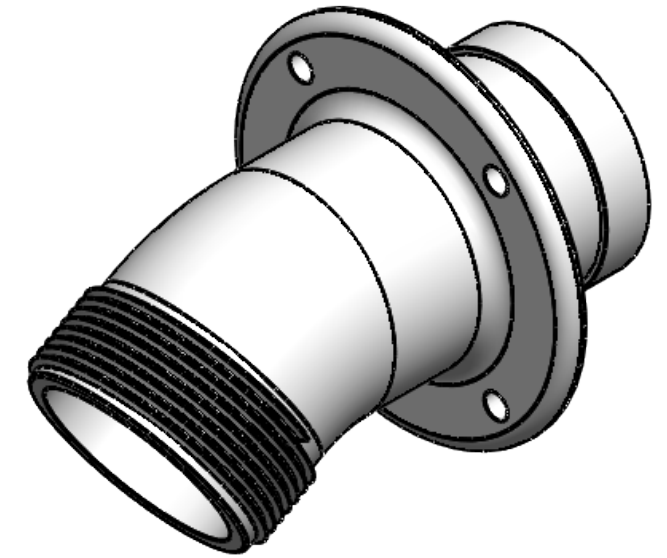


NOTES:

1. MATERIAL: AISI 304 STAINLESS STEEL (PASSIVATED).



DRAWING NOTES UNLESS OTHERWISE SPECIFIED  
 1. All dimensions are in inches.  
 2. Do not scale drawing.  
 3. Decimal Tolerance X.XX = +/- 0.01  
 4. Decimal Tolerance X.XXX = +/- 0.005  
 5. Fractional Tolerance X/X = +/- 1/16  
 6. Angle Tolerance: 0.5 degrees

APPROXIMATE WEIGHT (LBS)  
 3.75999965

THE INFORMATION CONTAINED IN THIS DRAWING IS THE SOLE PROPERTY OF FIRE PROGRAMS, LLC. ANY REPRODUCTION IN PART OR AS A WHOLE WITHOUT THE WRITTEN PERMISSION OF FIRE PROGRAMS, LLC IS PROHIBITED.

**FirePrograms**

6405 SW 38th St, Bldg 200  
 Ocala, FL 34474  
 Phone: 800.327.7638  
 www.fireprograms.com

TITLE  
**Cstg 2.5 NST 30 Deg x 2.5 V  
 w Mtg Flange**

DRAWING NUMBER  
**500014**

REV  
 A SHEET SCALE  
 1:2

DATE  
 6/27/2013 SHEET  
 1 OF 1

REVISIONS

REV.	DATE	DESCRIPTION
A	6/27/2013	Initial Release