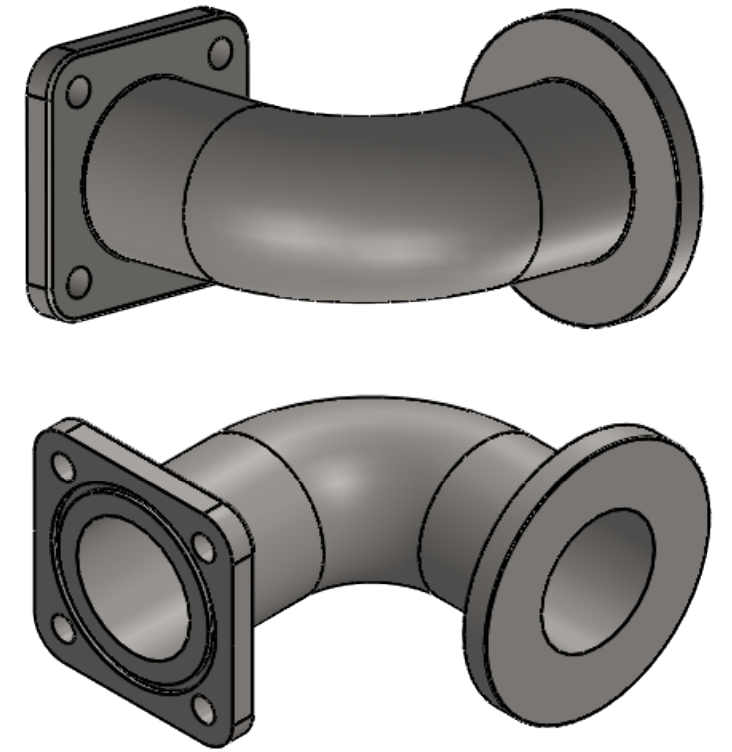
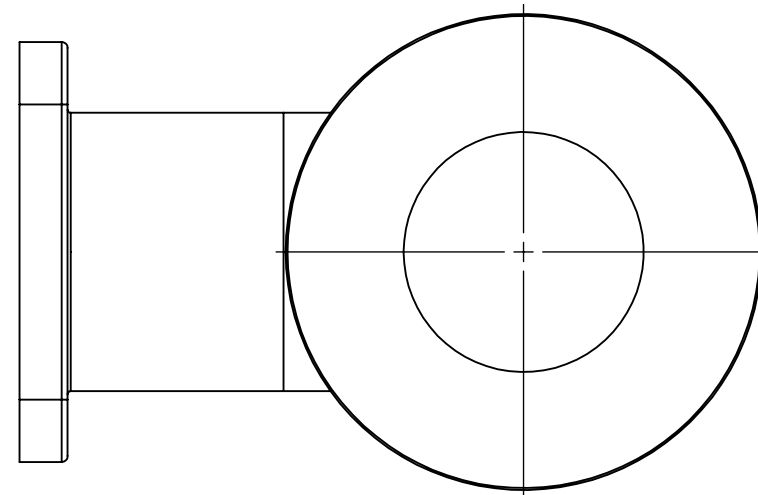
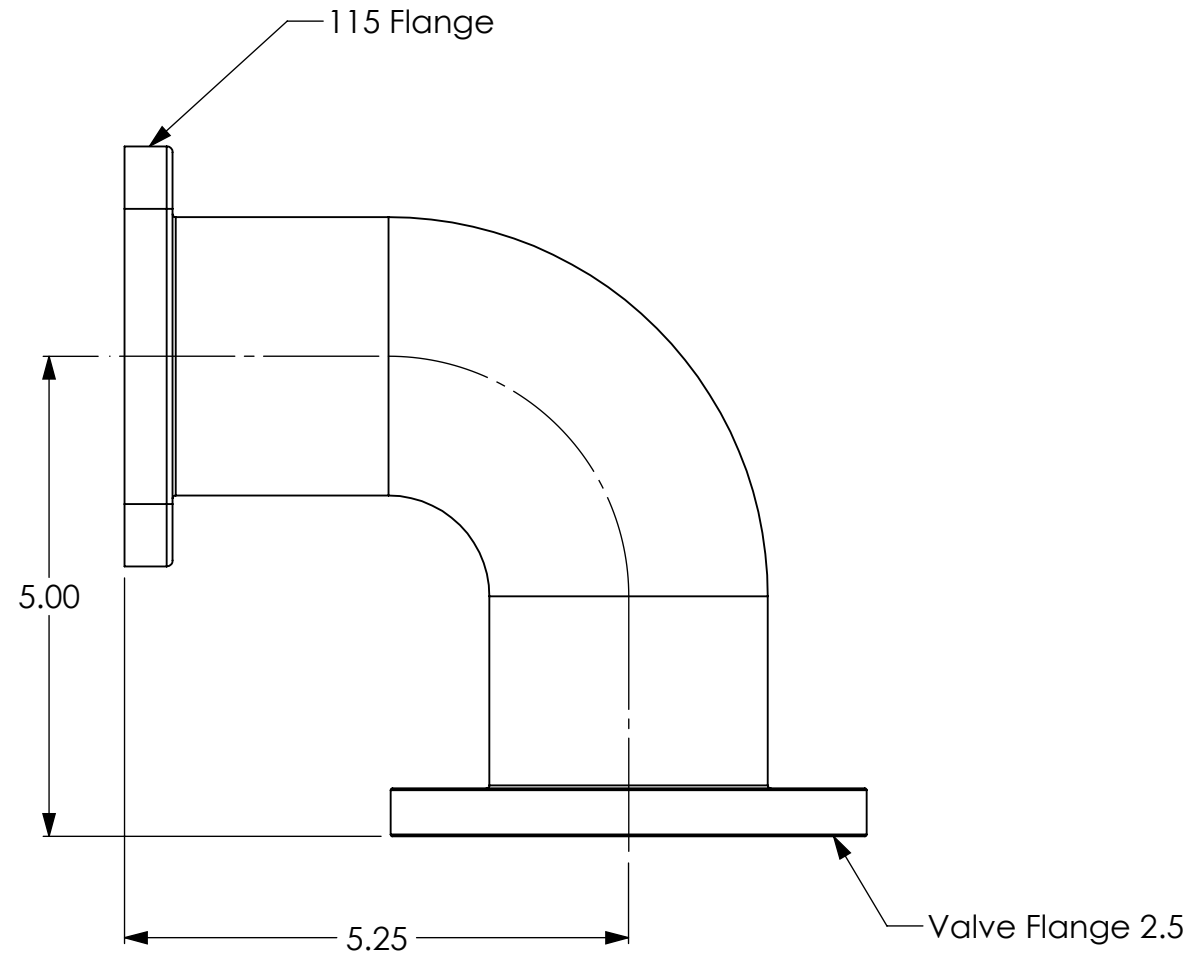
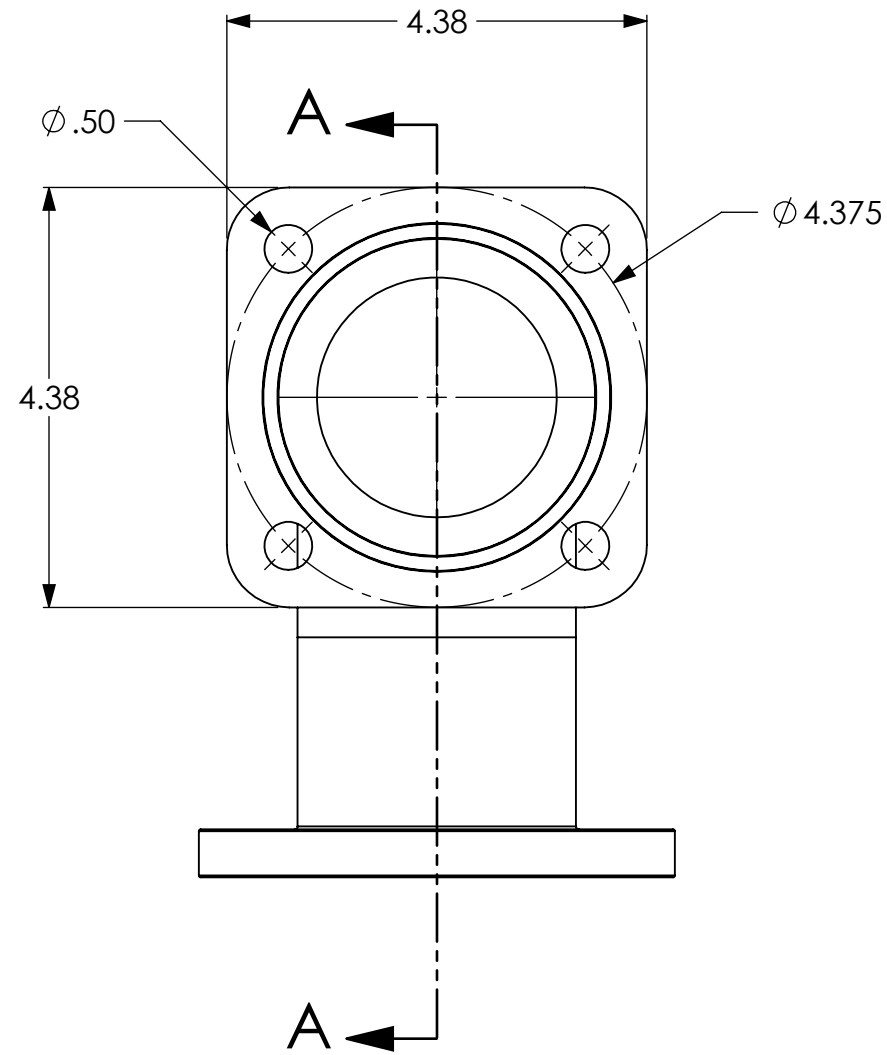


NOTES:

1. MATERIAL: AISI 304 STAINLESS STEEL



REVISIONS		
REV.	DATE	DESCRIPTION
A	3/24/2020	Initial Release
B	3/27/2020	Changed length.
C	4/9/2020	Changed length.
D	4/9/2020	Changed length.
E	6/15/2020	Added clarification to tolerances on overall size dimensions.

DRAWING NOTES UNLESS OTHERWISE SPECIFIED  
 1. All dimensions are in inches.  
 2. Do not scale drawing.  
 3. Decimal Tolerance X.XX = +/- 0.01  
 4. Decimal Tolerance X.XXX = +/- 0.005  
 5. Fractional Tolerance X/X = +/- 1/16  
 6. Angle Tolerance: 0.5 degrees

APPROXIMATE WEIGHT (LBS)  
 7.92

THE INFORMATION CONTAINED IN THIS DRAWING IS THE SOLE PROPERTY OF FIRE PROGRAMS, LLC. ANY REPRODUCTION IN PART OR AS A WHOLE WITHOUT THE WRITTEN PERMISSION OF FIRE PROGRAMS, LLC IS PROHIBITED.

**FirePrograms**  
 6405 SW 38th St, Bldg 200  
 Ocala, FL 34474  
 Phone: 800.327.7638  
 www.fireprograms.com

TITLE  
**Cstg Elbow 90 Deg 115 x Vlv S 2.5**

DRAWING NUMBER  
**20-10-FP0028**

REV E	SHEET SCALE 1:3
DATE 6/15/2020	SHEET 1 OF 1